

ITEM	DATE	DESCRIPTION OF CHANGE	AUTH.



**CORPORATE OFFICE**  
 7008 Northland Dr. Suite 150  
 Minneapolis, Minnesota 55428  
 PH: (763) 533-2094

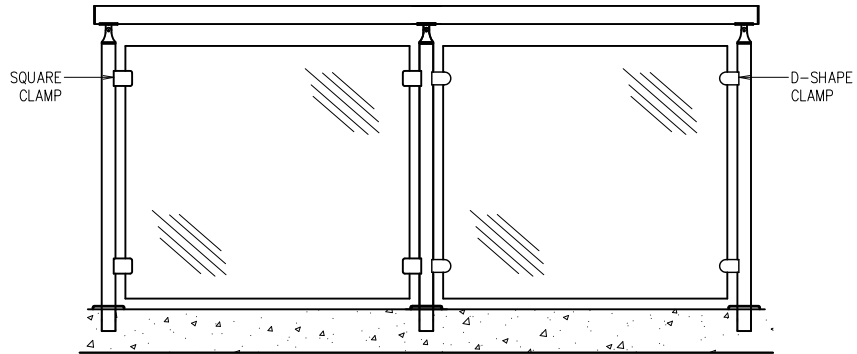
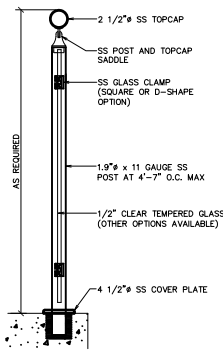
**MATERIAL**  
 AS SHOWN

**TITLE**  
**MONACO SERIES**  
**STAIR**  
**(WELDED)**

THIS DRAWING IS THE PROPERTY OF SC RAILING COMPANY AND IS FURNISHED ON A CONFIDENTIAL BASIS. NEITHER THE DRAWING NOR ITEMS THEREON ARE TO BE REPRODUCED OR USED IN ANY MANNER NOT AUTHORIZED BY SC RAILING COMPANY AND IS LOANED SUBJECT TO RETURN ON DEMAND

DR. BY JRS  
 SCALE  
 UNspecified TOLERANCES ARE TO BE  
 LINEAR ANGULAR  
 $\pm 1/32"$   $\pm 0.5^\circ$

DATE 06-09-16  
 PROJECT  
**DIVISION 5**  
 PRODUCT  
**MONACO**  
 TRADER  
**MONACO - 1**



ITEM	DATE	DESCRIPTION OF CHANGE	AUTH.



**CORPORATE OFFICE**  
 7008 Northland Dr. Suite 150  
 Minneapolis, Minnesota 55428  
 PH: (763) 533-2094

**MATERIAL**  
 AS SHOWN

**TITLE**  
**MONACO SERIES**  
**LEVEL**  
**(WELDED)**

THIS DRAWING IS THE PROPERTY OF SC RAILING COMPANY AND IS FURNISHED ON A CONFIDENTIAL BASIS. NEITHER THE DRAWING NOR ITEMS THEREON ARE TO BE REPRODUCED OR USED IN ANY MANNER NOT AUTHORIZED BY SC RAILING COMPANY AND IS LOANED SUBJECT TO RETURN ON DEMAND

DR. BY JRS  
 SCALE  
 UNspecified TOLERANCES ARE TO BE  
 LINEAR ANGULAR  
 $\pm 1/32"$   $\pm 0.5^\circ$

DATE 06-09-16  
 PROJECT  
**DIVISION 5**  
 PRODUCT  
**MONACO**  
 TRADER  
**MONACO - 2**