

ITEM	DATE	DESCRIPTION OF CHANGE	AUTH.



CORPORATE OFFICE
 7008 Northland Dr. Suite 150
 Minneapolis, Minnesota 55428
 PH: (763) 533-2094

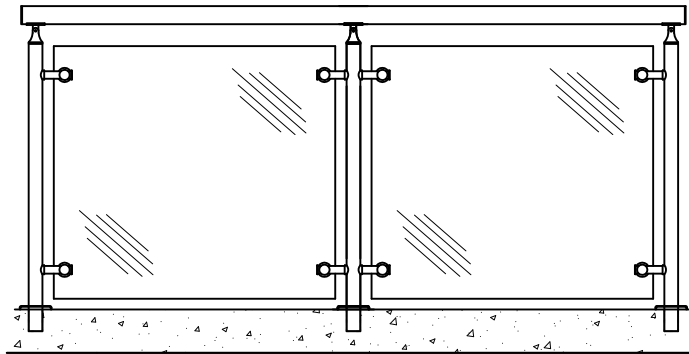
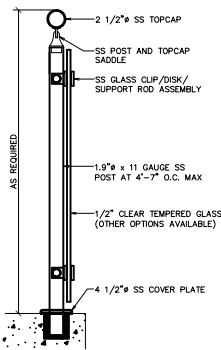
MATERIAL
 AS SHOWN

TITLE
**SOUTHPARK
 HANDRAIL CONFIGURATION
 (WELDED)**

THIS DRAWING IS THE PROPERTY OF
 SC RAILING COMPANY AND IS
 FURNISHED ON A CONFIDENTIAL BASIS.
 NEITHER THE DRAWING NOR ITEMS
 THEREON ARE TO BE REPRODUCED
 OR USED IN ANY MANNER NOT
 AUTHORIZED BY SC RAILING COMPANY
 AND IS LOANED SUBJECT TO
 RETURN ON DEMAND

DR. BY JRS
 SCALE
 UNspecified TOLERANCES
 ARE TO BE
 LINEAR ANGULAR
 $\pm 1/32"$ $\pm 0.5^\circ$

DATE 06-09-16
 PROJECT
DIVISION 5
 PRODUCT
SOUTHPARK
 DRAWING
SOUTHPARK - 1



ITEM	DATE	DESCRIPTION OF CHANGE	AUTH.



CORPORATE OFFICE
 7008 Northland Dr. Suite 150
 Minneapolis, Minnesota 55428
 PH: (763) 533-2094

MATERIAL
 AS SHOWN

TITLE
**SOUTHPARK
 TOPRAIL CONFIGURATION
 (WELDED)**

THIS DRAWING IS THE PROPERTY OF
 SC RAILING COMPANY AND IS
 FURNISHED ON A CONFIDENTIAL BASIS.
 NEITHER THE DRAWING NOR ITEMS
 THEREON ARE TO BE REPRODUCED
 OR USED IN ANY MANNER NOT
 AUTHORIZED BY SC RAILING COMPANY
 AND IS LOANED SUBJECT TO
 RETURN ON DEMAND

DR. BY JRS
 SCALE
 UNspecified TOLERANCES
 ARE TO BE
 LINEAR ANGULAR
 $\pm 1/32"$ $\pm 0.5^\circ$

DATE 06-09-16
 PROJECT
DIVISION 5
 PRODUCT
SOUTHPARK
 DRAWING
SOUTHPARK - 2